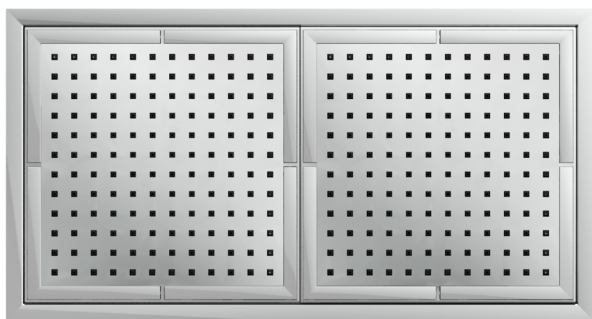
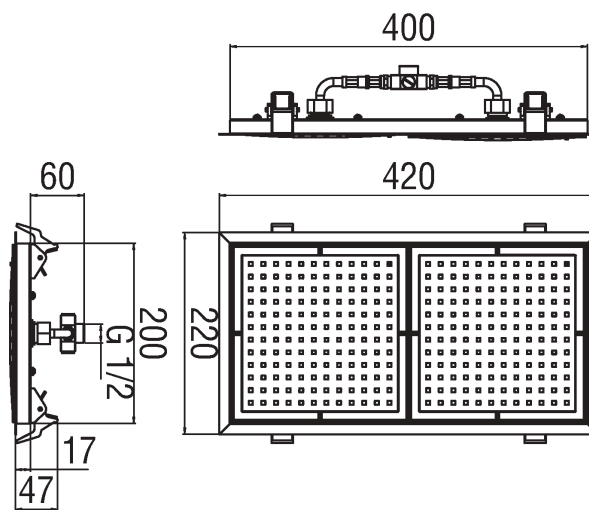


Image



Technical drawing



Specifications

Shower
Flush fit shower head
Finish: Abs chrome
Dimensions 420 x 220 mm
1-way inlet
Rain jet
Anti limescale system
Packaging: 70,5 x 29 x 10,8 cm / 0,02208 m³ / 3 kg

Flow rate diagram

