

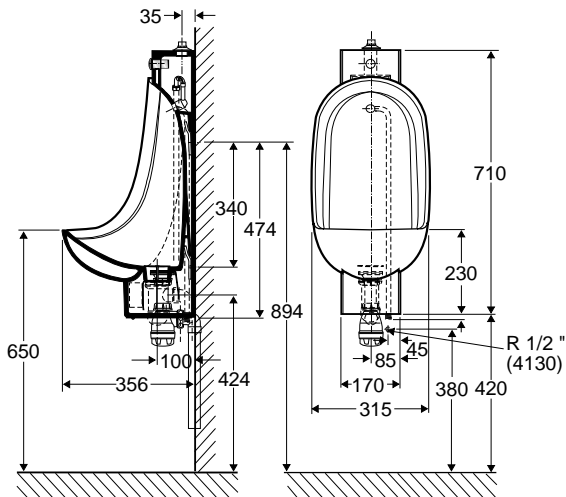


Ifö urinal with integrated sensor

Urinal where the flush mechanism consists of an integrated sensor concealed in the porcelain. The flush is battery operated, therefore no separate electronic box is required. 4130 and 4132 are connected from behind while 4131 and 4133 are connected from above.

The delivery includes:
 Wall hooks, Ifö no. 98204
 4 pcs AA batteries (6v)
 Installation instructions, Ifö no. 91476

Product	Ifö no.	[RSK_Number]
Connection for water trap	98149	
Battery operated		
White, connection from behind	41300	798 15 51
White, connection from above	41310	798 15 50
Mains operation		
White, connection from behind	41320	798 15 56
White, connection from above	41330	798 15 57



Urinal 4130 and 4131

The sensor sensitivity distance is 0-50 cm. The pre-flush time is 2 seconds, with a 2-second delay. When leaving the urinal, it after-flushes for 6 seconds, with a 2-second delay. The timing and the sensitivity are not adjustable. The electronic is powered by 4 AA (6v) alkaline batteries. For more information, see the installation instruction or Ifö Sensor 100 and 150.