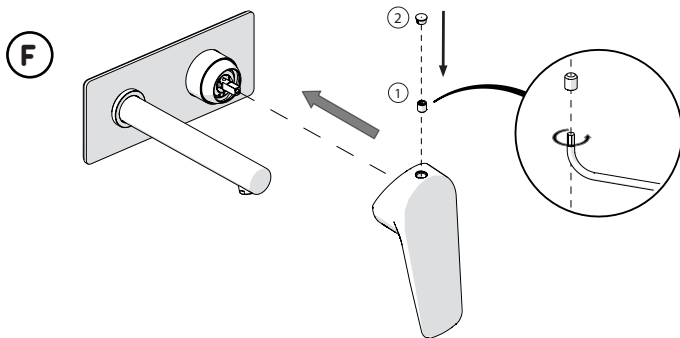
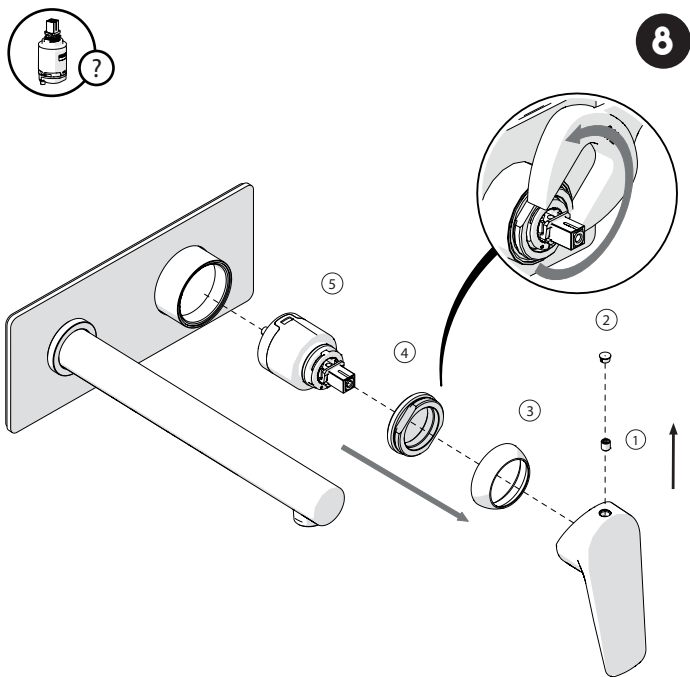


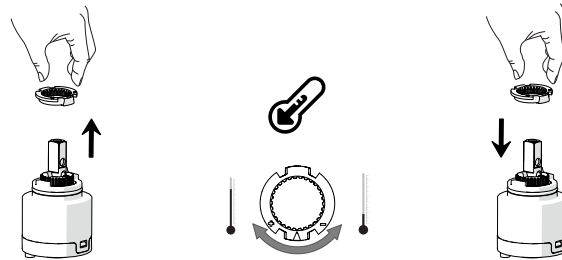
7



F



8

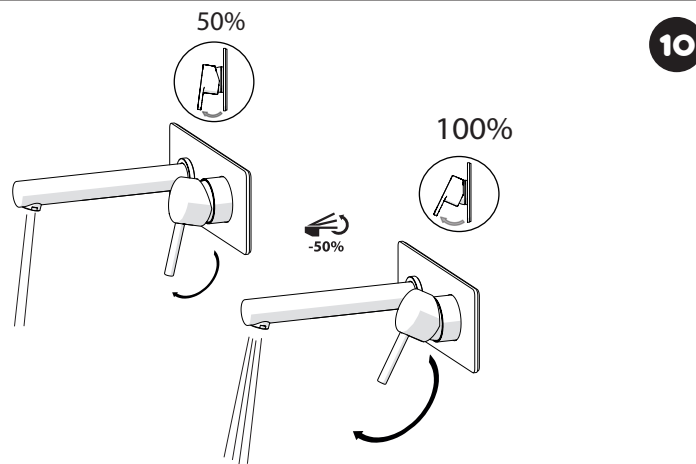
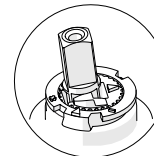
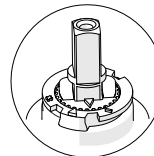
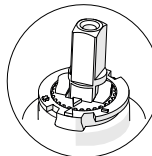


9

No limitation of temperature

Partial limitation of temperature

Maximum position Only cold water



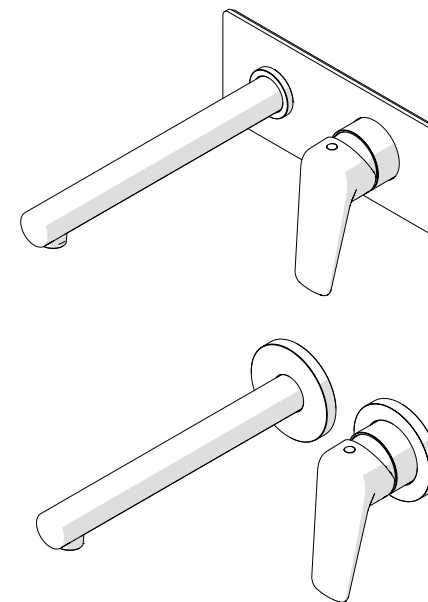
10



NOBILIS
The Best Technology for Water

IISTRSY97198#---STD

REV1.02/2014



SY97198 SY97199
SY97198/1 SY97199/1



www.grupponobili.it

