

Oras is a significant developer, manufacturer and marketer of kitchen and bathroom faucets. Ever since the company's founding in 1945 in Rauma, Finland, Oras has been dedicated to bring products of high quality and design with user-friendly technological solutions to the markets. Each technological improvement is designed to contribute to water and energy savings. As early as in the 1990s, Oras presented the touchless, electronic faucets to the European HVAC markets. Oras' vision is to become the true owner of the electronic faucet markets in Europe.

Oras is entirely owned by a family company Oras Invest. All Oras faucets are produced in Europe, in the company's two factories located in Rauma, Finland and in Olesno, Poland. Likewise the raw material and the components used in production are sourced from European suppliers. For more information, visit www.oras.com



Det Norske Veritas Certification OY/AB certifies that the Quality Management System of Oras Oy in Rauma Finland, conforms to the ISO 9001, the Environmental Management System to the ISO 14001 standard and the Occupational Health and Safety System to the OHSAS 18001 standard. The certificates are valid for development, manufacture, marketing, sales and after sales services of faucets, accessories and valves.



The TÜV CERT Certification Body of TÜV NORD Zertifizierungs- und Umweltgutachter Gesellschaft mbH certifies that the Quality Management System of Oras Olesno Sp. z o.o. in Olesno Poland, conforms to the ISO 9001, the Environmental Management System to the ISO 14001 standard and the Occupational Health and Safety System to the OHSAS 18001 standard. The certificates are valid for manufacture, storage, marketing, sales and after sales services of faucets, valves and accessories.



Installation and Maintenance Guide

Cold water faucets

ORAS GROUP

Isometsäntie 2, P.O. Box 40
FI-26101 Rauma
Finland
Tel. +358 2 83 161
Fax +358 2 831 6300
Info.Finland@oras.com



www.oras.com

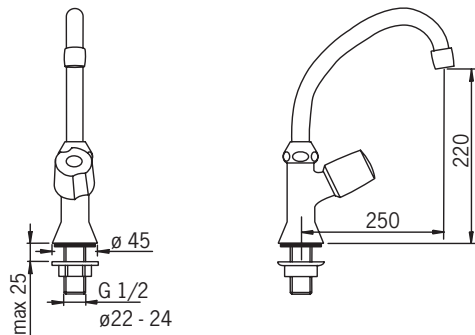
943034/01/13



Water Is Worth Loving.

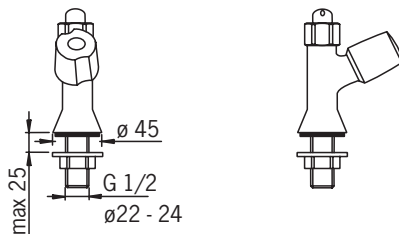
101025AC

EN 200
II (ISO 3822) Oras lab.
50 - 1000 kPa
0.27 l/s (300 kPa)
165 kPa (0.2 l/s)



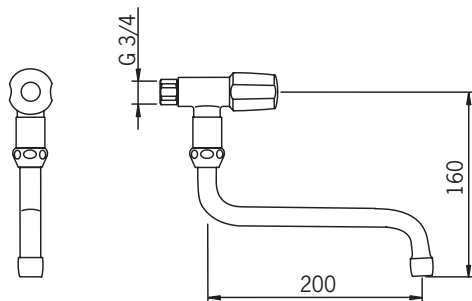
101026AC

EN 200
I (ISO 3822) Oras lab.
50 - 1000 kPa
0.05 l/s (300 kPa) (with flow controller)



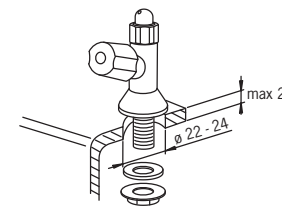
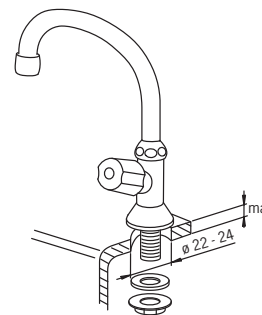
101027AC

EN 200
I (ISO 3822) Oras lab.
50 - 1000 kPa
0.23 l/s (300 kPa)
60 kPa (0.1 l/s)



Installation

CZ Montáž	FI Asennus	LV Montāža	RO Instalare
DE Montage	FR Installation	NL Installatie	RU Установка
DK Installation	IT Montaggio	NO Montering	SE Installation
EE Paigaldus	LT Montavimas	PL Instalacja	SK Inštalácia
ES Montaje			



Spare parts

CZ Náhradní díly	FI Varaosat	LV Rezerves daļas	RO Piese de schimb
DE Ersatzteile	FR Pièces détachées	NL Reserve-onderdelen	RU Запасные части
DK Reservedele	IT Pezzi di ricambio	NO Reservedeler	SE Reservdelar
EE Varuosad	LT Atsarginės dalys	PL Części zamienne	SK Náhradné diely
ES Piezas de recambio			

101025AC

- 201150A
- 109090V



101026AC

- 201150A
- 109090V



101027AC

- 201150A
- 109090V

