



Toilet seat Sentique SC/ QR

Model

98M8 S1 Sentique toilet seat with Soft Closing and Quick Release, incl. 9220 54 61 universal top mounted toggle hinge with Quick Release

98M8 Q1 Sentique toilet seat with Quick Release, incl. 9220 54 61 universal top mounted toggle hinge with Quick Release

Product Description

Sentique toilet seat in Wrap Over design made of colour ingrained duroplast with hinge in stainless steel plastic
 – incl. universal top mounted toggle hinge with Quick Release in stainless steel
 – centre distance: 140-198 mm
 – load of ring seat: 240 kg
 – 10 year guarantee

Colour Programme

01 White (Alpin)
 R2 Star White
 R3 Pergamon
 S3 Edelweiß

Hinge Finish

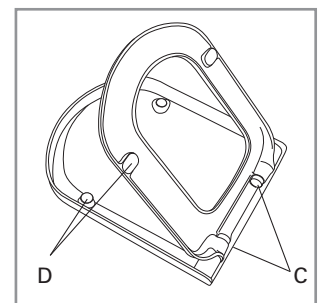
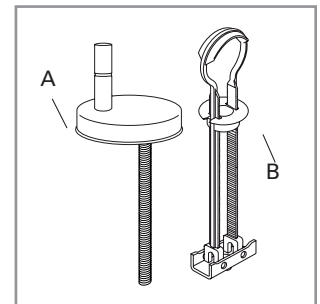
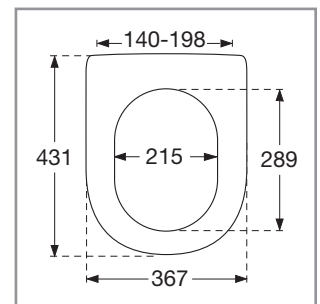
61 Stainless steel

Spare Parts

A) 9220 54 61 Universal top mounted toggle hinge with Quick Release
 B) 9218 96 00 Spare part for universal top mounted toggle hinge with Quick Release
 C) 9220 23 00/9220 24 00 Soft Closing/Dummy Damper packet
 D) 9220 82 00 Buffers for seat and cover

Cleaning Instructions

Use a mild soap solution. Seat and hinge should not be left damp, but be dried with a soft cloth. When using abrasive, corrosive or chlorine based cleaners for the bowl, avoid contact with seat and hinge as it may lead to damages or flash rust. Therefore, when cleaning the bowl, make sure that seat and cover are in an upright position until all the cleaner has been flushed away

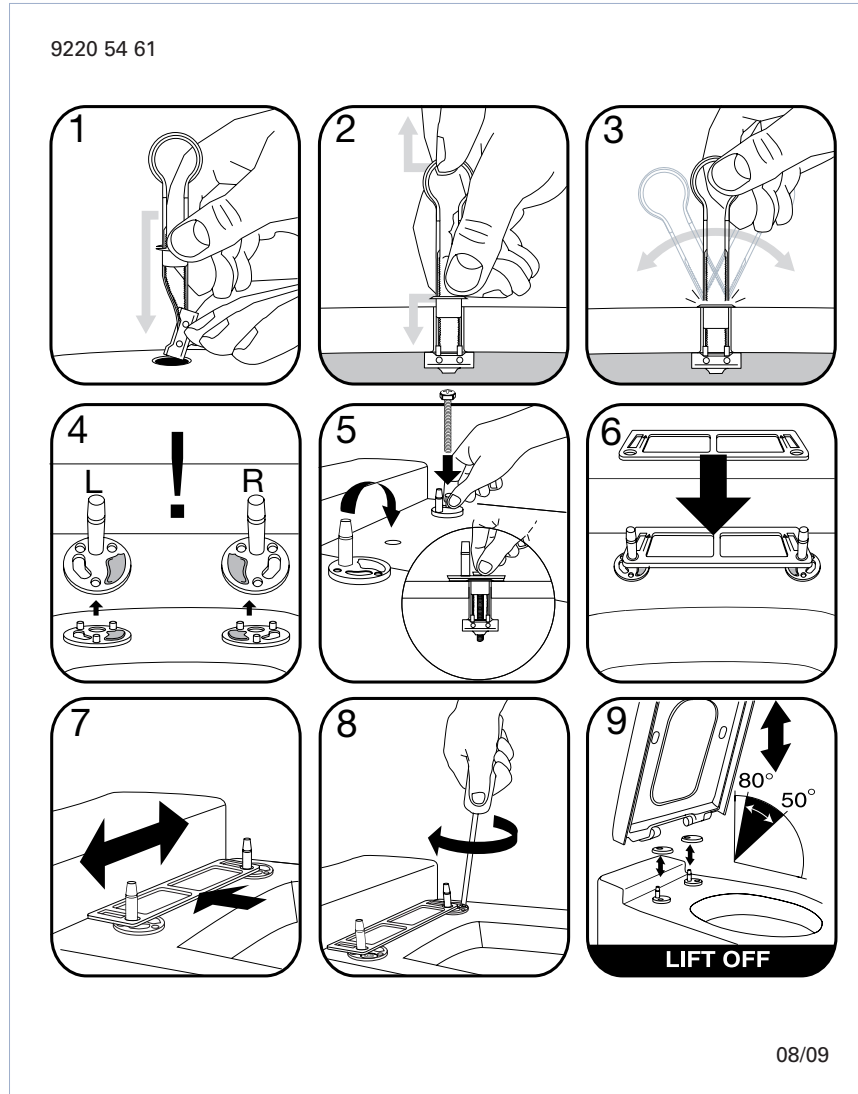


Villeroy & Boch

1748

Toilet seat Sentique

Instruction manual



[Click here for video](#)

Material Description

TOILET SEAT: The material is colour ingrained duroplast (UF A 10 = urea formaldehyde) that contains no environmentally hazardous substances. The body consists of approx. 50% urea (NH_2CONH_2), approx. 25% cellulose and approx. 25% formaldehyde (HCHO), as well as small amounts of various fillers and additives.

BUFFERS: EVA (copolymer made of ethylene and vinyl acetate).

DAMPER KIT: Hydraulic damper with stainless steel damper casing and plastic parts.
Damper liquid: Anti-friction liquid.

MOUNT/HINGE: Stainless steel.

Guarantee

The guarantee includes faults or defects in the material of our products within a periode of 10 years. Products subject to minor technical modifications and design deviations E. & O.E.