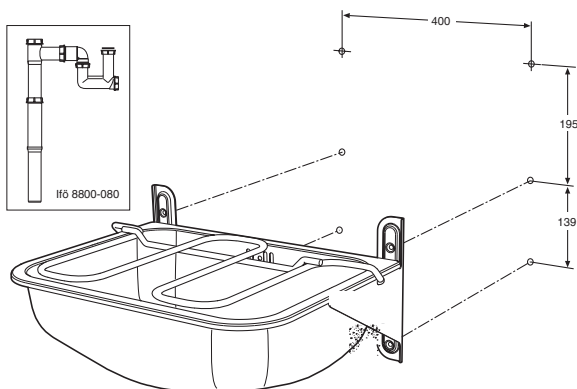




Ifö Public Steel sink CU 44

The CU 44 utility room sink is made of classic stainless steel sheet and the splashback is made of textured steel sheet. The strainer holes are stamped directly in the bottom of the bowl. The CU 44 is supplied as standard in fully assembled form and with mounting screws and bowl connection to the water trap. It has mounting holes for a hinged grating.

Product	Ifö no
Ifö CU 44 Waste bowl	0399980
Ifö CU 44G Waste bowl incl. hinged grating	0399981
Ifö CU 44B Waste bowl incl. overflow	0399982
Ifö CU 44 GB Waste bowl incl. hinged grating and overflow	0399983
Rim flushing frame for CU 44	0399480
Hinged grating CU 44	0399580



Sink CU 44

The CU 44 utility room sink is made of classic stainless steel sheet and the splashback is made of textured steel sheet. The strainer holes are stamped directly in the bottom of the bowl. The CU 44 is supplied as standard in fully assembled form and with mounting screws and bowl connection to the water trap. It has mounting holes for a hinged grating. Water trap underside, R 1 1/2" connection, Ifö no. 8864080 25 is included.

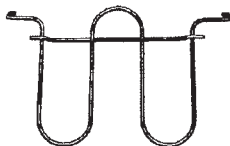
Accessories:

12 mm diameter rinsing ramp with smooth end and with fixed mounting brackets of 18/10 stainless steel. The rinsing ramp can easily be removed for cleaning and then refitted. The hinged grating is made of 8 mm diameter stainless steel and can easily be snapped off and on.

1



2



Accessories 1. Rinsing ramp **2.** Grille