

Touchless washbasin faucet with a swivel spout, aerator with a 6 l/min flow controller and temperature adjustment knob. Battery-operated 6 V. The temperature adjustment handle is equipped with a temperature limiter which can be bypassed by pushing a button. The faucet is equipped with litter filters and non-return valves.

- Public, HealthCare
- Touchless, Battery-operated
- Wall mounted
- Chrome
- Swivel spout
- Temperature control handle
- Litter filter(s), Non-return valve(s), Pressostatic cartridge for automatic temperature control
- Autofocus infrared sensor, Solenoid valve, Low battery indicator
- Software settings adjustable via magnetic key

Technical data

Flow properties

Flow-rate at 300 kPa (with flow controller)	0.1 l/s
Pressure loss with flow (0.1 l/s)	200 kPa

Technical properties

Hot water supply	max. +70°C
Working pressure	100 - 1000 kPa
Connection size	G3/4
Installation width	CC150± 3 mm
Projection	250 mm
Backflow prevention (EN1717)	AA
Material	Brass

Software settings

Afterflow period	2 s ± 1 s
Automatic flush	off (off/24/48/72 h)
Automatic flush period	30 s
Max. flow period	2 min
Opening range	0-5 cm

Electronic properties

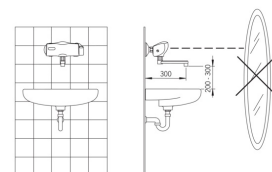
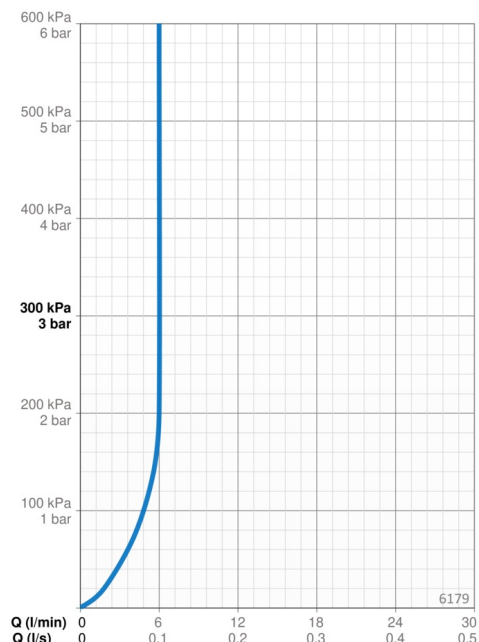
Battery	Lithium 2CR5 6 V
---------	-------------------------

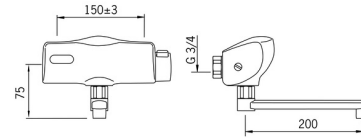
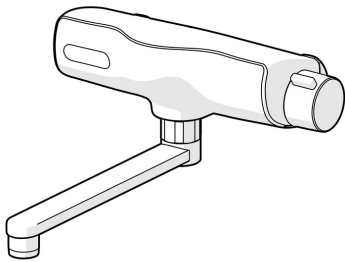
Regulations

EU Directives	C € EMC Directive 2014/30/EU, RoHS Directive 2011/65/EU
EN standard	EN 15091, ETSI EN 301 489-1 V1.9.2, ETSI EN 300 328 v2.2.2, EN 61000-6-1:2007, EN 61000-6-3:2007+A1:2011+AC:2012, EN 60335-1:2012+A11+A13+A14+A15:2021, Part 19.11.4
Noise class	I (ISO 3822)
Protection class	IP 55

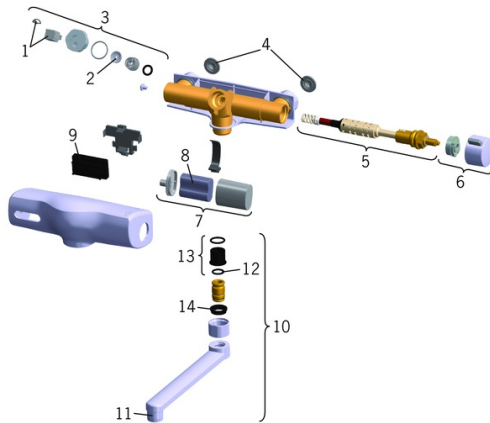
Approvals and Declarations

KIWA SE	1647
UN38.3	UN38-3 Maxell 2CR5





Spare parts



SP6179

	Name	Code
01	Pilot valve	199426V
02	Membrane	199240V
03	Solenoid valve	199423V
04	Filter sealing, G3/4, DN20	178375V
05	Pressostatic cartridge	199434V
06	Temperature control handle	169945V
07	Battery casing	199438V
08	Lithium battery, 2CR5 6 V	198330
09	Sensor, 6 V	600201V
10	Spout, L=100	211212
10	Spout, L=200	211222
11	Aerator, M22x1	199435V
12	O-ring, 13.6x2.4	469360/10
13	Bushing (10 pcs), 18/20.6	219595/10
14	Retaining ring (10 pcs)	219563/10