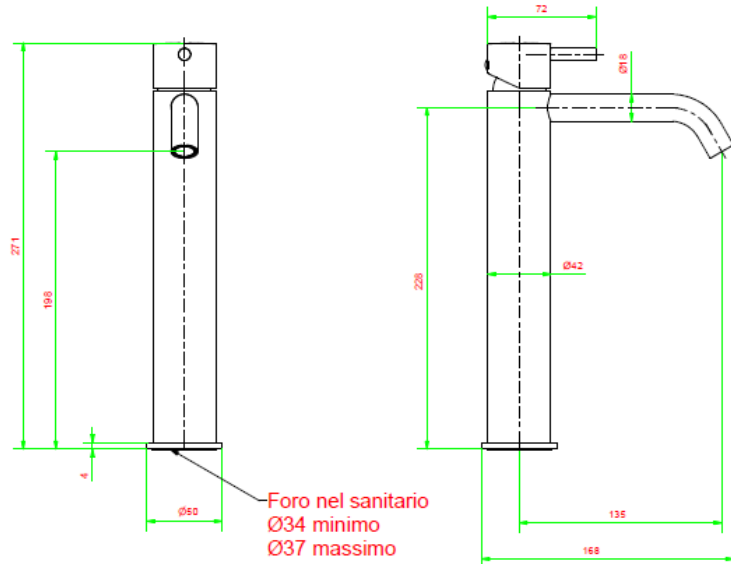




www.ibrubinetterie.it

MILANOTORINO
MT202

Range
Product



Product Description

Tall mono hole washbasin mixer with 1-1/4" click-clack automatic pop-up waste, base integrated within the body as single-casted and a metal lever.

Available Finishings

Chrome	<input checked="" type="checkbox"/>	Glossy Black	<input checked="" type="checkbox"/>	PVD Gold	<input type="checkbox"/>	Copper	<input type="checkbox"/>
Brushed Nickel	<input checked="" type="checkbox"/>	Matt White	<input type="checkbox"/>	Gold	<input checked="" type="checkbox"/>	Bronze	<input type="checkbox"/>
Glossy White	<input checked="" type="checkbox"/>	Matt Black	<input type="checkbox"/>	Rose Gold	<input checked="" type="checkbox"/>	YO - Your Own	<input checked="" type="checkbox"/>

Tech Specifications

iB Standard	Possible Alternative
-------------	----------------------

Cartridge	iB 25 mms Ceramic Discs Cartridge	Flow Restrictions – See below
Wall Hoses	Flexible Inox 3/8", 400 mms long	Flexible Inox 1/2", 400 mms long Copper Tails PEX Pipes
		Different lengths available on request

Aerator M 16,5X1

Flow Rate (+/- 10%)

1 BAR	6.36 l/m
2 BAR	8.94 l/m
3 BAR	10.94 l/m

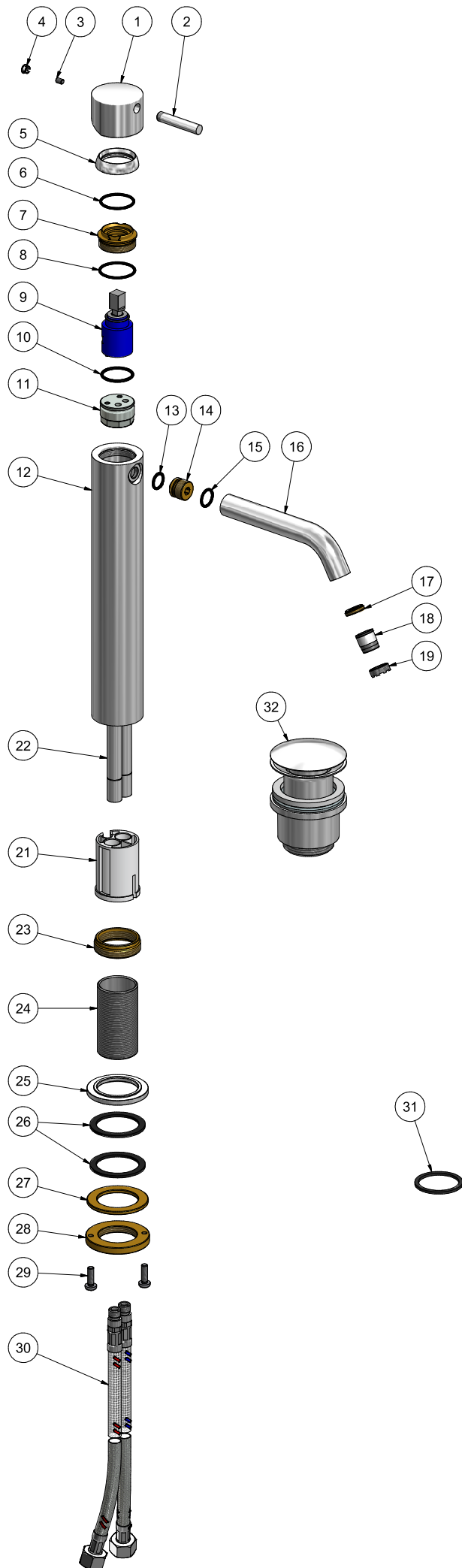
Changing aerator or adding flow restrictors in the hoses, the following range of TOP flow rates can be achieved	0,5 l/m
	1,0 l/m
	1,5 l/m
	2,0 l/m
	3,0 l/m
	4,0 l/m
	5,0 l/m

Material Brass
According to CUZN35PB2AL-B(CB752S)
Max Lead content: 1,6%

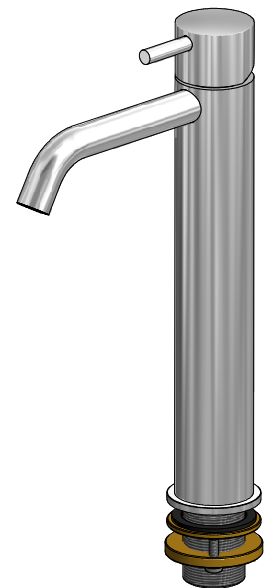
Production Main body is a single casted piece



info@ibrubinetterie.it
p.iva 01785230986
capitale sociale €420.000,00 i.v.
T +39 030 802101
F +39 030 803097
iB Rubinetterie SpA
via dei pianotti, 3/5 - 25068 sarezzo (bs) - Italy



Elenco parti			
ELEM	CODICE	NUMERO DI MAGAZZINO	QT
1	AC0011351	Handle Ø42 H30	1
2	AC0009461	Rod Ø8 H42 M8	1
3	AQ0001081	Inox grubscrew M4x6 flat head	1
4	AQ0006650	Plug cover Ø7	1
5	AC0012004	Cartridge fixing nut chromed cover	1
6	AQ0006586	OR 25.12x1.78 NBR 70 SH	1
7	AS0011353	Cartridge fixing nut M30x1 H14.35	1
8	AQ0010564	OR 26.7x1.78 NBR 70 SH	1
9	AQ0013098	Ceramic cartridge Ø25 9x9 (K25 OP S)	1
10	AQ0010972	OR 23x2 NBR 70 SH	1
11	AC0010810	Connection piece Ø27X18	1
12	AC0010807	Tall mixing body Ø42 H235	1
13	AQ0001350	OR 11.11x1.78 NBR 70 SH	1
14	AS0010783	Spout connection M16x1 M10x1 H12.5	1
15	AQ0004610	OR 12.42x1.78 NBR 70 SH	1
16	AS0010961	Spout Ø18 L126	1
17	AS0010829	Aerator stopper M16.5x1 H4	1
18	AQ0009836	Perlator cartridge F Ø15 with rubber packing	1
19	AC0010830	Aerator cage M16.5x1 H6	1
20	AQ0001325	OR 6x1.5 NBR 70 SH	2
21	AQ0009711	Separator for pipes	1
22	AC0010899	Extension pipe M8x1 M10x1 H230	2
23	AS0010786	Reduction nut M38x1.5 M33x1.5 H11	1
24	AC0009680	Threaded stem M33x1.5 H61	1
25	AC0010787	Base Ø5 H5	1
26	AQ0008013	Rubber packing 45x35x2	2
27	AS0010659	Brass ring Ø50x35.5x3	1
28	AS0010658	Ring nut with screwed holes Ø52 M33x1.5 H6	1
29	AQ0010358	Inox screw M5x16	2
30	AQ0000932	Inox hose M10x1 G3/8" F L400	1
31	AQ0010307	Rubber packing Ø39 Ø33 H2	1
32	AQ0009837	Simple rapid waste 1"1/4	1



Tolleranze generali				Peso	Scala	Formato
					1:3	ISO A2
Materiale						
Disegnatore	Data creazione	Approvato da	Approvato il			
Vivenzi M.	31/03/2010	Tira G.	04/04/2010			
Denominazione				Codice		
Esplosio lavabo alto MITO				KMT202CCXN_1		

www.flobiolettera.it
 Via dei Pianotti 3/5
 23068 Salezzo - BRESCIA
 tel. 030802101 fax. 030803097
www.flobiolettera.it

WARRANTY

all iB Rubinetterie SpA products are warranted for 10 years from the date of purchase, for the following cases:

- defects of casting, porosity and chrome plating
- operating defects caused by incorrect fabrication.

The warranty provides for the repair or replacement of products with fabrication defects recognized by our technical office.

There is no other type of compensation and the merchandise must be returned FOB our warehouse. The warranty only cover surface defects (scartches, dings, etc.) on fittings that have not been installed and used, returned in its original packaging with all components.

O-rings, gasket seals and components subject to wear proportional to use are warranted for 2 years.

The warranty is void in the following cases:

- error installing and putting the product into service.
- deterioration of chrome-plated surfaces due to use of cleaning products containing acids or abrasive substances
- deterioration of surface with finishes other than chrome plating. Their durability is, in fact, dependent on the user's care and gentleness of use.
- deterioration of the fitting due incorrect installation.
- improper repairs and maintenance performed without the company's prior authorization.

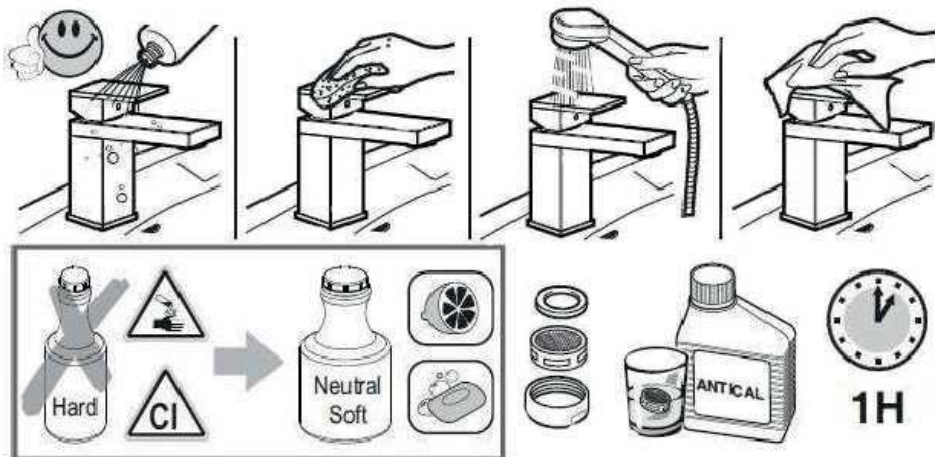
The warranty from iB Rubinetterie SpA is not renewable.

Cleaning:

We recommend cleaning chrome-plated and gold-finish surface with water and soap, using a soft cloth.

Do not use detergents that contain hydrochloric acid or abrasive substances.

Plastic parts must only be cleaned with soap and water and soft cloth.



IMPORTANT

Pressure & Temperature Requirements.

- * Hot and cold water inlet pressures should be equal.
- * Inlet pressure range: 150-1000 kPa
- * New Regulation: -500 kPa maximum operating pressure at any outlet within a building. (Ref. AS/NZS 3500.1-2003, Clause 3.3.4)
- * Maximum hot water temperature: 80°C.



iB Rubinetterie S.p.A.
Via dei Pianotti 3/5
25068 SAREZZO (BS) Italy
Iscr. Reg. Impr. BS 01785230986
R.E.A. BS 352087
P.IVA IT01785230986
Capitale Sociale € 420.000,00 i.v.
phone +39 030 802101
fax +39 030 803097
info@ibrubinetterie.it
www.ibrubinetterie.it

